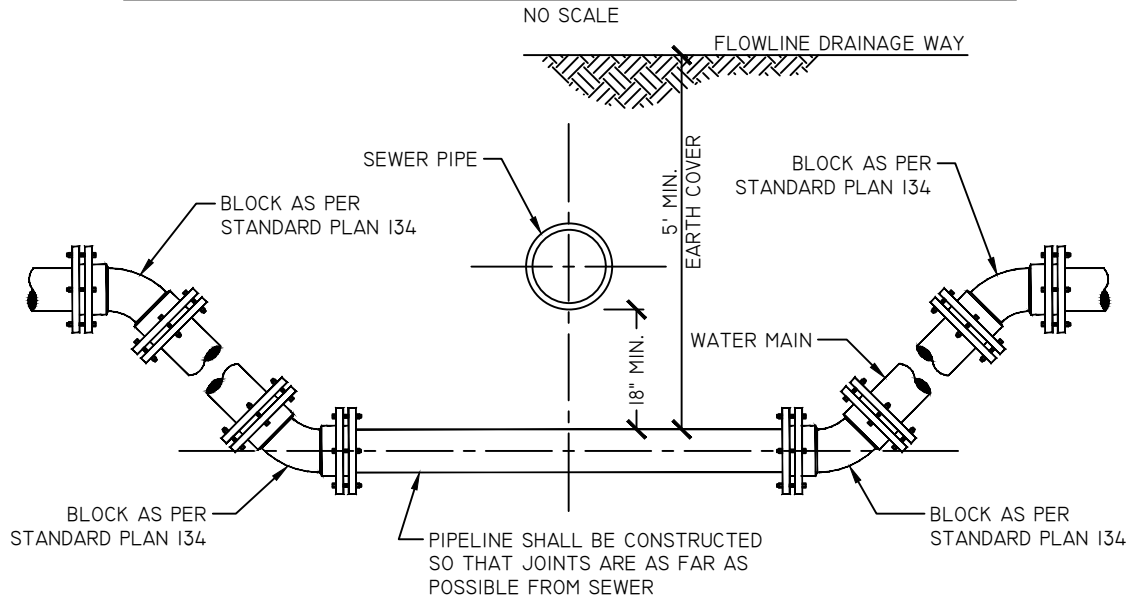
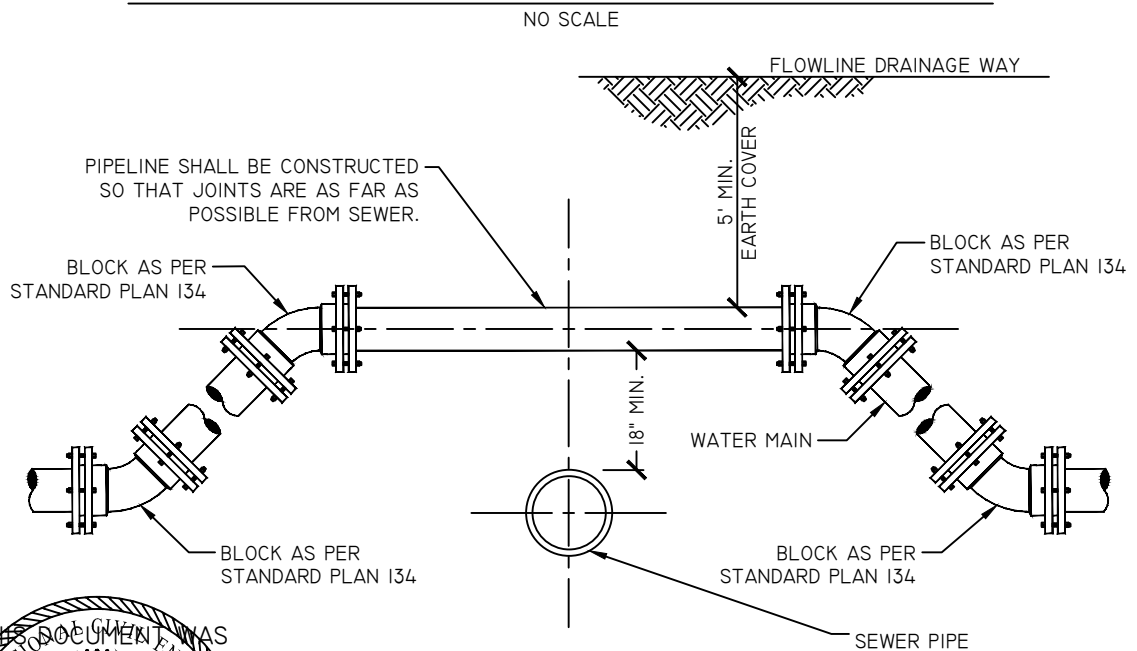


WATER MAIN CROSSING UNDER SEWER / DRAINAGE WAY



WATER MAIN CROSSING OVER SEWER / DRAINAGE WAY



THIS DOCUMENT WAS
ORIGINALLY SEALED AND
ISSUED BY RYAN L. SCHMITZ
E 3818, ON 11-15-2019. THIS
MEDIA SHOULD NOT BE
CONSIDERED A CERTIFIED
DOCUMENT, AND SHOULD BE
USED FOR REFERENCE ONLY.

NOTE:

1. IN BOTH CONFIGURATIONS, THE USE OF RETAINER GLANDS INSTEAD OF OR IN ADDITION TO THRUST BLOCKS MAY BE ACCEPTABLE AT THE DIRECTION OF THE UTILITIES DEPT.