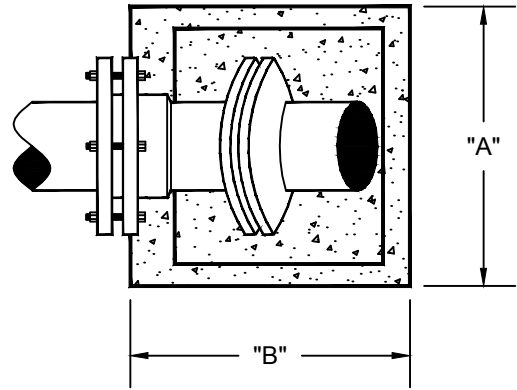
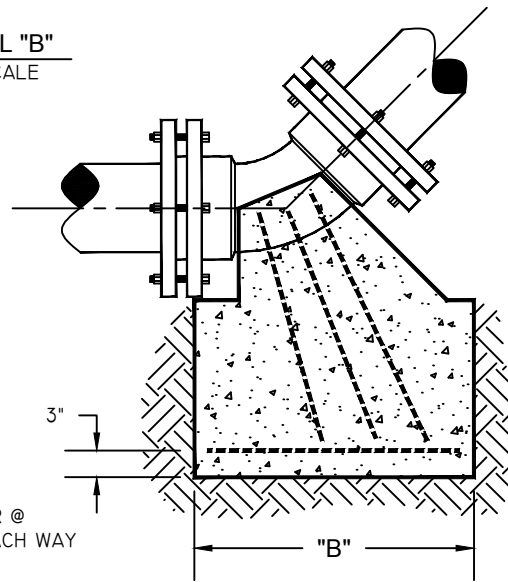
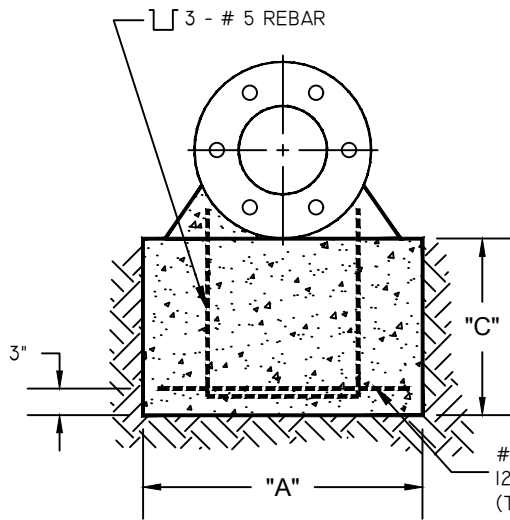


* FOR THRUST BLOCKS DIMENSIONS SEE TABLE ON STANDARD PLAN 134, SHEET 5



DETAIL "B"
NO SCALE



NOTES :

1. ALL THRUST BLOCKS TO BE TYPE 47-B MODIFIED POURED CONCRETE AS PER DIVISION II; "CONCRETE PAVING SPECIFICATIONS"; AND DIVISION VI "WATER MAINS".
2. ALL CONCRETE BLOCKING SHALL BE INSTALLED IN SUCH A MANNER THAT ALL PIPE AND FITTING JOINTS ARE ACCESSIBLE.
3. ALL FITTINGS ARE TO BE WRAPPED IN 8 MIL POLYETHYLENE.
4. ALL THRUST BLOCKS ARE TO BE POURED AGAINST UNDISTURBED SOIL.
5. ALL REINFORCING STEEL SHALL BE DEFORMED BARS CONFORMING TO A.S.T.M. A-305-507 AND SATISFY THE BENT TEST REQUIREMENTS FOR STRUCTURAL GRADE STEEL.
6. IF SOIL OTHER THAN SANDY SOIL IS DISCOVERED DURING EXCAVATION, THE THRUST BLOCK SIZE SHALL BE VERIFIED BY THE ENGINEER.

THIS DOCUMENT WAS
ORIGINALLY SEALED AND
ISSUED BY RYAN L. SCHMITZ
E 3818, ON 11-15-2019. THIS
MEDIA SHOULD NOT BE
CONSIDERED A CERTIFIED
DOCUMENT, AND SHOULD BE
USED FOR REFERENCE ONLY.