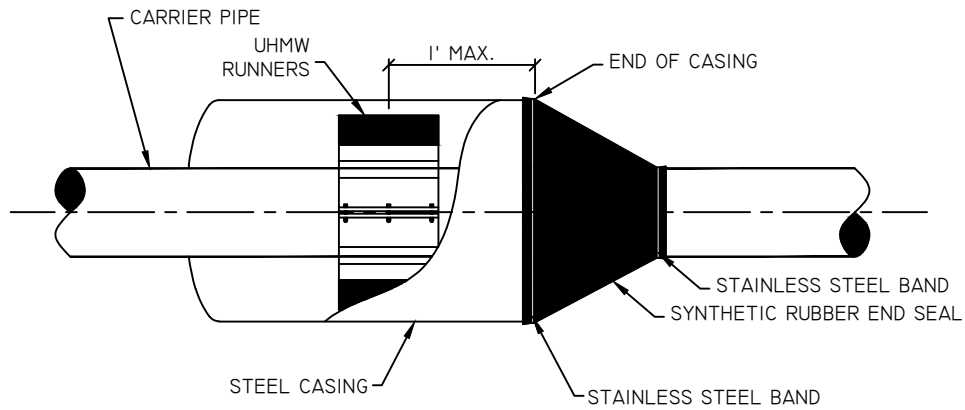
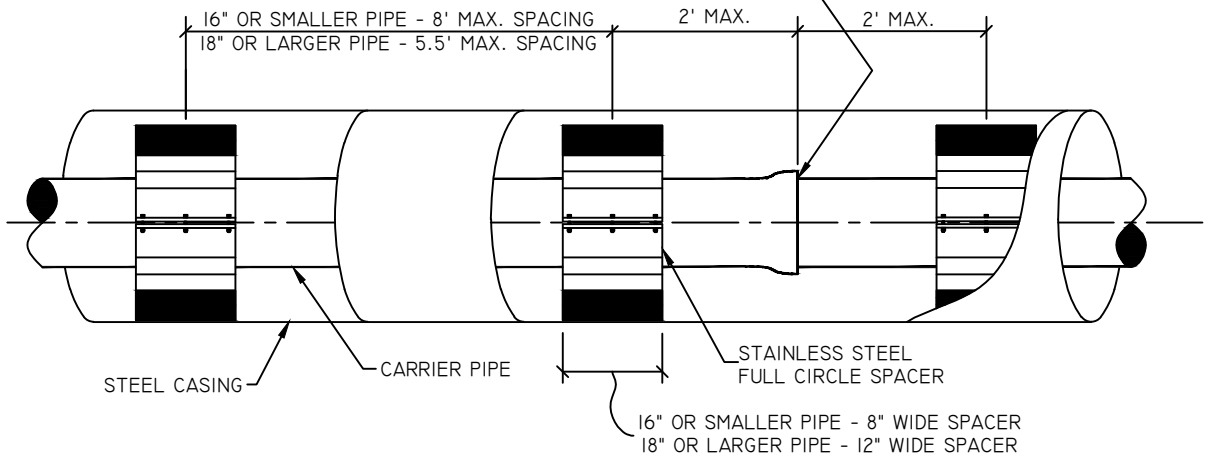


NOTE:
 CARRIER PIPES 18" IN DIA. OR
 LARGER SHALL HAVE 2 RUNNERS
 ON TOP AND 4 RUNNERS ON
 BOTTOM (SEE SPECIFICATIONS)

ALL PIPE JOINTS SHALL BE RESTRAINED.



THIS DOCUMENT WAS
 ORIGINALLY SEALED AND
 ISSUED BY RYAN L. SCHMITZ
 E 3818, ON 11-15-2019. THIS
 MEDIA SHOULD NOT BE
 CONSIDERED A CERTIFIED
 DOCUMENT, AND SHOULD BE
 USED FOR REFERENCE ONLY.