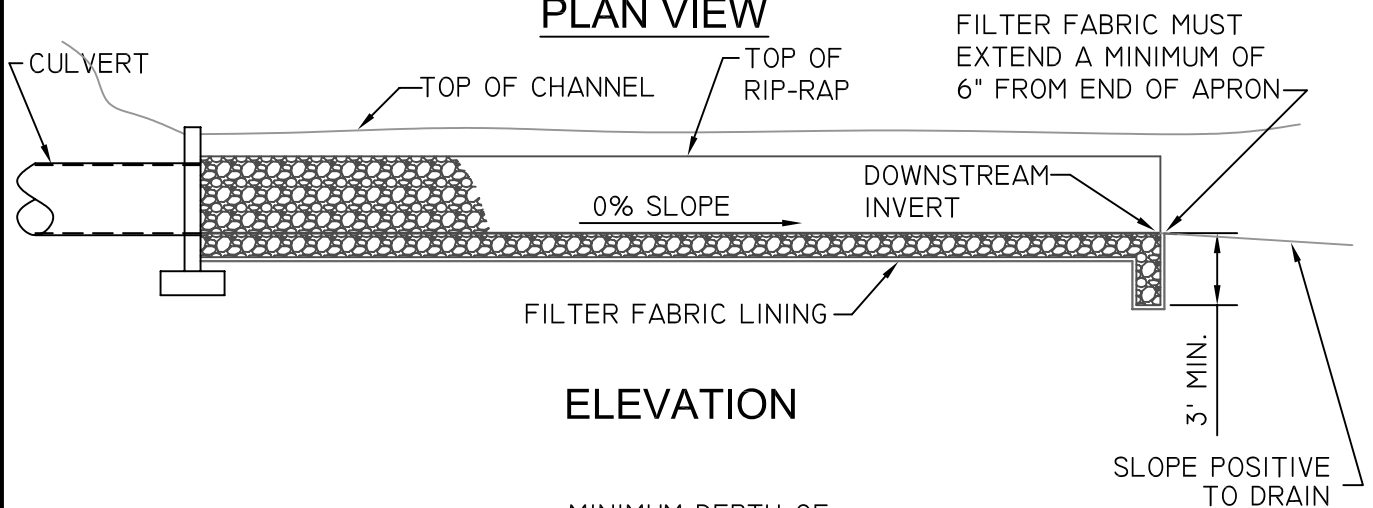
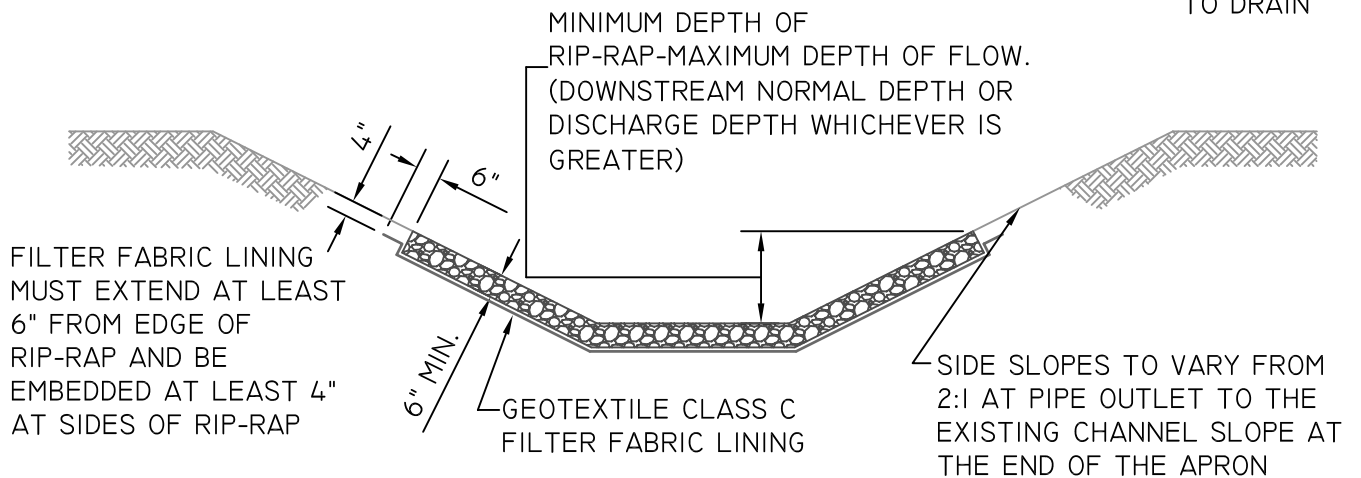


**PLAN VIEW**



**ELEVATION**



**SECTION A-A**