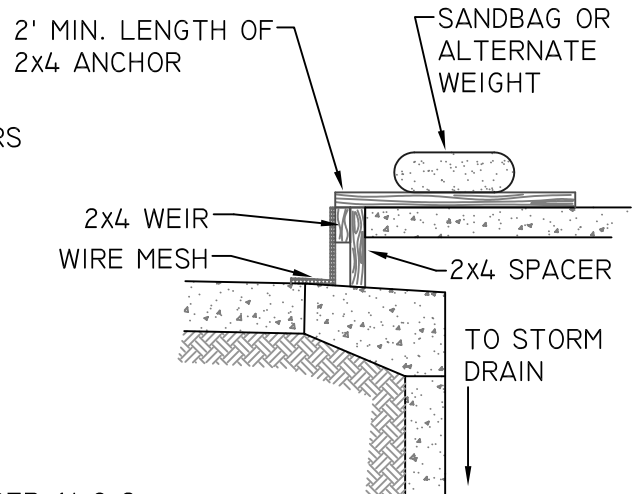
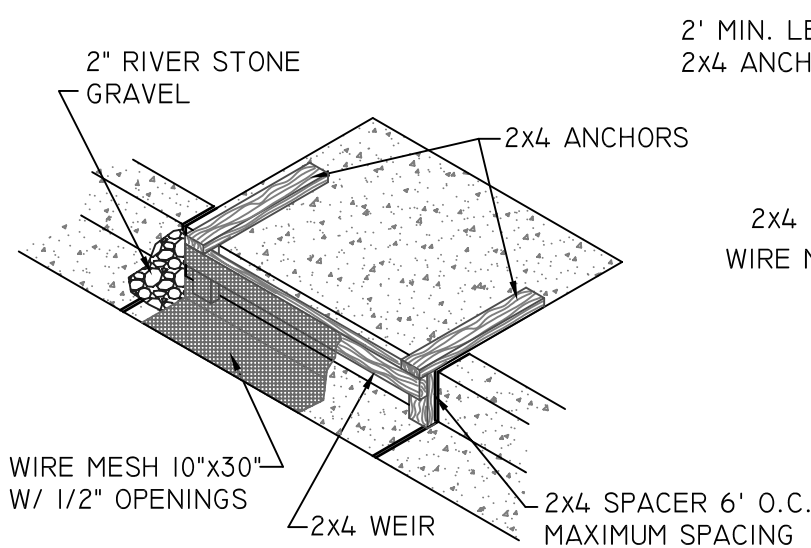


GRAVEL CURB INLET SEDIMENT FILTER



CURB INLET PROTECTION WITH 2x4 WOODEN WEIR